

MIT - Modular Industrial Keyboards

TKH-TOUCHa-FP
Touchpad Module for Industrial Keyboards



Excellent features:

- ✓ Touchpad as completing module of the MIT product family
- ✓ Capacitive touchpad for easy operating
- ✓ Best suitable for using in 19"-systems
- ✓ Easy mounting in standard racks
- ✓ Combination of different single modules is possible without limitations
- ✓ Every module is applicable also as single device

Other Available Modules:

- ✓ Numeric Pad with 17 Keys
- ✓ 38 mm Trackball
- ✓ 50 mm Trackball
- ✓ Silicone-Mousebutton

Specification:

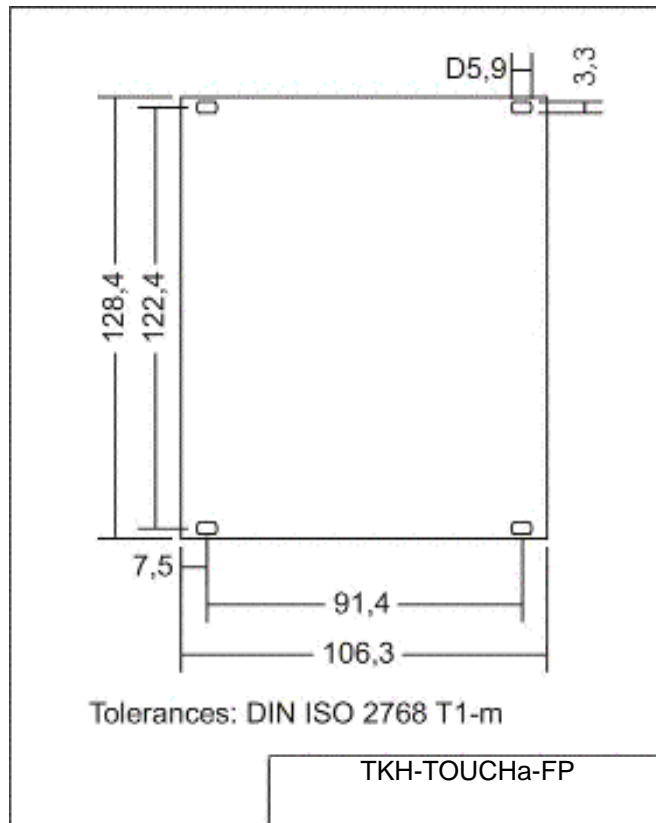
Function Method:	Capacitive
Resolution:	40 counts / mm
Protection Level:	IP65 (frontside)
Electronic Interface:	PS/2; USB
Connector:	6-pin MiniDIN; USB-A
Dimensions:	106,4 x 128,4 x 20 mm 4.188" x 5.055" x 0.787"
Operating Temperature:	0 °C to 50 °C
Frontpanel Material:	Aluminium, anodized

InduKey® Keyboard Production GmbH & Co. KG
Mahnbrueck 4
D-08233 Treuen (Vogtland)
Germany

Phone: +49 / 37468 / 650-0
Fax: +49 / 37468 / 650-50
E-mail: info@indukey.com
Website: <http://www.indukey.com>

MIT - Modular Industrial Keyboards

TKH-TOUCHa-FP
Touchpad Module for Industrial Keyboards



Build-in depth: 20 mm

Cat.-No.	Product Name	
KH8242	TKH-TOUCHa-FP-PS/2	Touchpad, PS/2
KH9427	TKH-TOUCHa-FP-USB	Touchpad; USB

InduKey® Keyboard Production GmbH & Co. KG
Mahnbrueck 4
D-08233 Treuen (Vogtland)
Germany

Phone: +49 / 37468 / 650-0
Fax: +49 / 37468 / 650-50
E-mail: info@indukey.com
Website: <http://www.indukey.com>